




6-TON ELECTRIC LOG SPLITTER

OWNER'S MANUAL



 **WARNING:** Read carefully and understand all **INSTRUCTIONS** before operating. Failure to follow the safety rules and other basic safety precautions may result in serious personal injury.

Item #141258

Thank you very much for choosing a NORTHERN TOOL + EQUIPMENT CO., INC. Product! For future reference, please complete the owner's record below:

Model: _____ Purchase Date: _____

Save the receipt, warranty and these instructions. It is important that you read the entire manual to become familiar with this product before you begin using it.

This machine is designed for certain applications only. Northern Tool + Equipment cannot be responsible for issues arising from modification. We strongly recommend this machine is not modified and/or used for any application other than that for which it was designed. If you have any questions relative to a particular application, DO NOT use the machine until you have first contacted Northern Tool + Equipment to determine if it can or should be performed on the product.

For technical questions please call **1-800-222-5381**.

INTENDED USE

This electric-powered log splitter easily splits logs up to 20in.L x 10in. dia.

TECHNICAL SPECIFICATIONS& PACKING LIST

Item	Description
Motor	120V,60HZ,15A,2HP
Log Capacity	20in.L x 10in.dia. (51 x 25cm)
Splitting force	6 Ton
Hydraulic pressure	230PSI

GENERAL SAFETY RULES



WARNING: Read and understand all instructions. Failure to follow all instructions listed below may result in electric shock, fire and/or serious injury.



WARNING: The warnings, cautions, and instructions discussed in this instruction manual cannot cover all possible conditions or situations that could occur. It must be understood by the operator that common sense and caution are factors which cannot be built into this product, but must be supplied by the operator.

SAVE THESE INSTRUCTIONS

WORK AREA

- **Keep work area clean**, free of clutter and well lit. Cluttered and dark work areas can cause accidents.
- **Do not use your log splitter where there is a risk of causing a fire or an explosion;** e.g. in the presence of flammable liquids, gasses, or dust. Electric-powered equipment create sparks, which may ignite the dust or fumes.

- **Keep children and bystanders** away while operating a log splitter. Distractions can cause you to lose control, so visitors should remain at a safe distance from the work area.
- **Be aware of all power lines, electrical circuits,** water pipes and other mechanical hazards in your work area, particularly those hazards below the work surface hidden from the operator's view that may be unintentionally contacted and may cause personal harm or property damage.
- **Be alert of your surroundings.** Using log splitters in confined work areas may put you dangerously close to cutting tools and rotating parts.

ELECTRICAL SAFETY


-  **WARNING:** Always check to ensure the power supply corresponds to the voltage on the rating plate.
- **Do not abuse the cord.** Never carry a portable tool by its power cord, or yank tool or extension cords from the receptacle. Keep power and extension cords away from heat, oil, sharp edges or moving parts. Replace damaged cords immediately. Damaged cords may cause a fire and increase the risk of electric shock.
- **Grounded tools** must be plugged into an outlet properly installed and grounded in accordance with all codes and ordinances. Never remove the grounding prong or modify the plug in any way. Do not use any adapter plugs. Check with a qualified electrician if you are in doubt as to whether the outlet is properly grounded.
- **Double insulated tools** are equipped with a polarized plug(one blade is wider than the other).This plug will fit in a polarized outlet only one way. If the plug does not fit fully in the outlet, reverse the plug. If it still doesn't fit, contact a qualified electrician to install a polarized outlet. Do not change the plug in any way.
- **Avoid body contact** with grounded surfaces such as pipes, radiators, ranges, and refrigerators. There is an increase risk of electric shock if your body is grounded.
- **When operating a power tool outside,** use an outdoor extension cord marked "W-A" or "W." These cords are rated for outdoor use and reduce the risk of electric shock.
- **Extension Cord Use:**
 - A. Use only 'Listed' extension cords. If used outdoors, they must be marked "For Outdoor Use." Those cords having 3-prong grounding type plugs and mating receptacles are to be used with grounded tools.
 - B. Replace damaged or worn cords immediately.
 - C. Check the name plate rating of your tool. Use of improper size or gauge of extension cord may cause unsafe or inefficient operation of your tool. Be sure your extension cord is rated to allow sufficient current flow to the motor. For the proper wire gauge for your tool, see chart.

CHART FOR MINIMUM WIRE SIZE OF EXTENSION CORD:

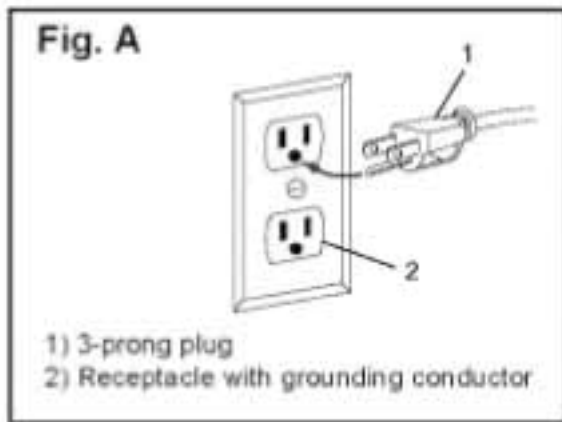
Nameplate AMPS	CORD LENGTH			
	25'	50'	100'	150'
0-6	18 AWG	16 AWG	16 AWG	14 AWG
6-10	18 AWG	16 AWG	14 AWG	12 AWG
10-12	16 AWG	16 AWG	14 AWG	12 AWG
12-16	14 AWG	12 AWG	(NOT RECOMMENDED)	

If in doubt, use larger cord.

Be sure to check voltage requirements of the tool to your incoming power source.

- **Do not expose** power tools to rain or wet conditions. Water entering a power tool will increase the risk of electric shock.
- **Do not let your fingers** touch the terminals of plug when installing to or removing from the outlet.

- **Ground fault circuit interrupters.** If work area is not equipped with a permanently installed Ground Fault Circuit Interrupter outlet (GFCI), use a plug-in GFCI between power tool or extension cord and power receptacle.
- This log splitter has a 3-prong plug that is intended for use on a circuit that has a receptacle like the one illustrated in Fig. A.



- Do not modify the power cord plug. If it does not match the electrical outlet, have the proper outlet installed by a qualified electrician.
- Make sure your extension cord is properly wired and in good electrical condition. Always replace a damaged extension cord or have it repaired by a qualified person before using it. Protect your extension cords from sharp objects, excessive heat and damp or wet areas.
- Use a separate electrical circuit for your tools. This circuit should not be less than #12 wire and should be protected with a 15 A time delayed fuse. Before connecting the motor to the power line, make sure the switch is in the OFF position and the electric current is rated the same as the current stamped on the motor nameplate. Running at a lower voltage will damage the motor.

PERSONAL SAFETY

- **Stay alert,** watch what you are doing and use common sense when operating a log splitter. Do not use a log splitter while you are tired or under the influence of drugs, alcohol or medication. A moment of inattention while operating power tools may result in serious personal injury.
- **Dress properly.** Do not wear loose clothing, dangling objects, or jewelry. Keep your hair, clothing and gloves away from moving parts. Loose clothes, jewelry or long hair can be caught in moving parts. Air vents often cover moving parts and should be avoided.
- **Use safety apparel and equipment.** Use safety goggles or safety glasses with side shields which comply with current national standards, or when needed, a face shield. Use as dust mask in dusty work conditions. This applies to all persons in the work area. Also use non-skid safety shoes, hardhat, gloves, dust collection systems, and hearing protection when appropriate.
- **Do not overreach.** Keep proper footing and balance at all times.
- **Remove adjusting keys or wrenches** before connecting to the power supply or turning on the tool. A wrench or key that is left attached to a rotating part of the tool may result in personal injury.

TOOL USE AND CARE

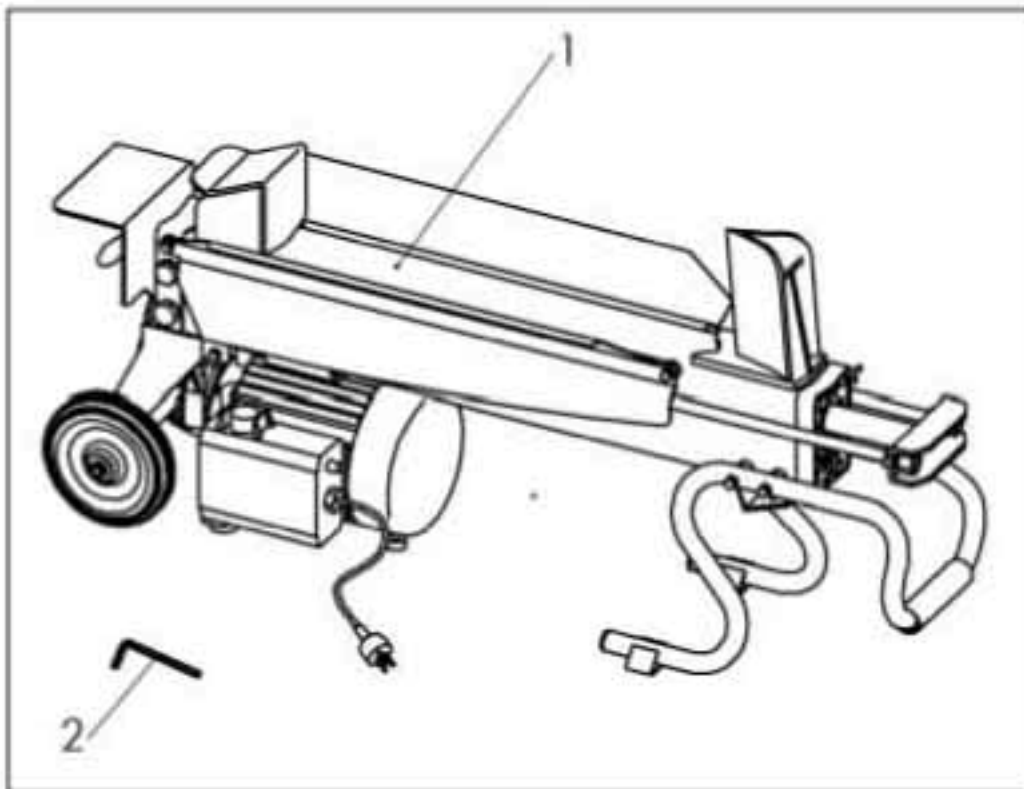
- **Do not force the log splitter.** Log splitters do a better and safer job when used in the manner for which they are designed. Plan your work, and use the correct tool for the job.
- **Never use a log splitter** with a malfunctioning switch. Any log splitter that cannot be controlled with the switch is dangerous and must be repaired by an authorized service representative before using.
- **Disconnect power** from log splitter and place the switch in the locked or off position before servicing, adjusting, installing accessories or attachments, or storing. Such preventive safety measures reduce the risk of starting the power tool accidentally.
- **Store idle log splitters.** When log splitters are not in use, store them in a dry, secure place out of the reach of children. Inspect splitters for good working condition prior to storage and before re-use.
- **Use only accessories that are recommended** by the manufacturer for your model. Accessories that may be suitable for one tool may create a risk of injury when used on another log splitter.
- **Keep guards in place** and in working order.
- Keep bystanders at a safe distance. never allow children near the tool.
- Avoid accidental start-ups. make sure the power switch is in the OFF position before plugging in the power cord.
- Do not abuse the power cord. Keep cord away from heat, oil, sharp edges, or moving parts. Replace damaged cord immediately; it may create a shock or fire hazard.
- Never leave a running tool unattended. Turn the power switch to OFF. Do not leave the tool until it has come to a complete stop.
- Place the log splitter on a stable, flat and level work surface where there is plenty of room for handling logs.
- Inspect the log splitter before each use. Keep guards in place and in working order. Replace damaged, missing, or failed parts before using.
- Do not alter the log splitter. Altering the tool or exceeding its design capabilities and capacities could result in serious injury or fatality and will void the warranty.
- Make sure the extension cord is no longer than 33ft. (10m) and is rated for outdoor use. Ground the log splitter and avoid contact with grounded surfaces during operation.
- Never use the log splitter for any other purpose than splitting wood. Any other use can result in injury. Use extreme caution at all times.
- Prepare logs for splitting. Make sure the ends of the logs to be split are square. Cut off any branches flush with the trunk.
- Inspect each log before splitting. Make sure there are no nails or foreign objects in the log.
- Only a single operator should load and operate the log splitter. Keep all others, including pets and children, a minimum of 20ft. (6.1m) away from the work area.
- Never try to split logs larger than the rated capacity of the tool. Attempting to do so could result in personal injury and damage to the tool.
- Split only one log at a time. Do not attempt to split two logs on top of each other.
- Do not place your hands or feet between the log and the splitting wedge or between the log and the push rod during operation. Do not attempt to load a log while the push rod is in motion. When loading, place your hands on the sides of the log, not on the ends.

- Wait for the push rod to stop moving before loading another log onto
- the log splitter. Do not try to remove a split log before the entire cycle is completed.
- Use only your hands to operate the control lever. Never use your foot , knee, rope,
- or any extension device.
- Never use your hands to remove a jammed log. If a jam should occur, release the
- ON/OFF push button. Follow the instructions in this manual for removing a jammed
- log.
- Stack logs as you work. This will provide a safer, less cluttered work area.

ASSEMBLY

The log splitter is fully assembled. The enclosed hex wrench is for turning the fluid drain bolt to check and/or replace hydraulic fluid.

Note: Do not discard box or any packing material until all parts are examined.



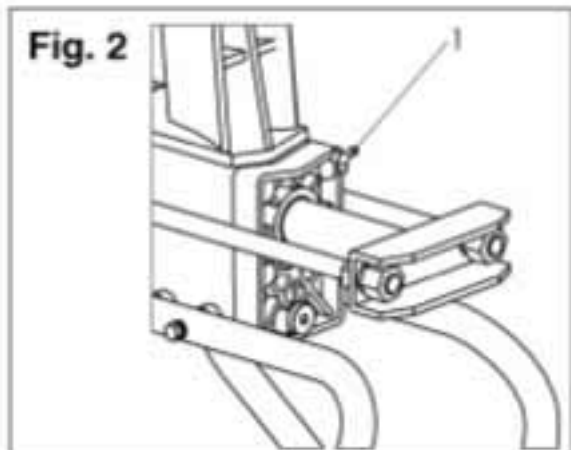
1. Log Splitter
2. Hex Wrench
3. Manual (not shown)

OPERATION

Select a work area

Place the log splitter in a flat, stable area. Make sure there is sufficient room for the unsplit logs and stacks of split logs. Make sure there is a safe electrical connection no more than 33ft. (10m) from the work area.

Note: Transporting and lifting the log splitter is a two-person job. The wheels are designed for moving the log splitter very short distances.



1. Turn the bleed screw (1) counter clock wise one or two turns to allow air to be released from the hydraulic system.

Note: A flow of air through the bleed screw should be detectable while the log splitter is in use.

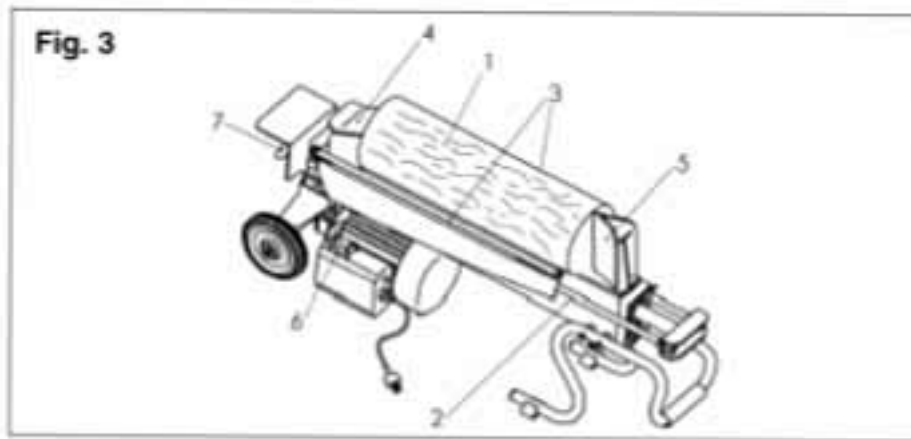
2. Close the bleed screw after operation.

Note: Check the bleed screw and make sure it is closed before and during moving. Hydraulic fluid may leak through the bleed screw opening if the bleed screw is not fully tightened.

Select/prepare a log for splitting.

1. Make sure there are no nails or foreign objects in the log.
2. Make sure the end of each log to be split is square.
3. Make sure each log is no longer than 20.5in. (52 cm) and the diameter is 10in. (25.4 cm) or less.
4. Cut off any branches flush with the trunk.

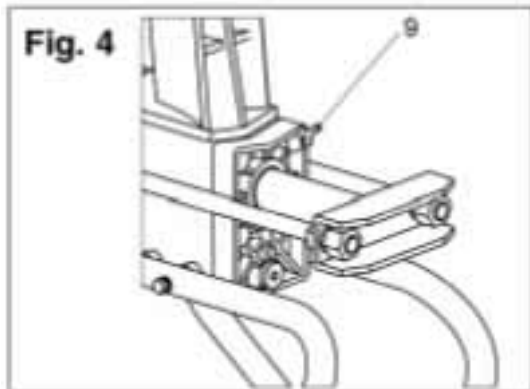
Place a log on the splitter (Fig. 3)



Place a properly prepared log (1) firmly on the worktable (2) between the two worktable guards (3). The log should fit between the push rod (4) and the splitting wedge(5).

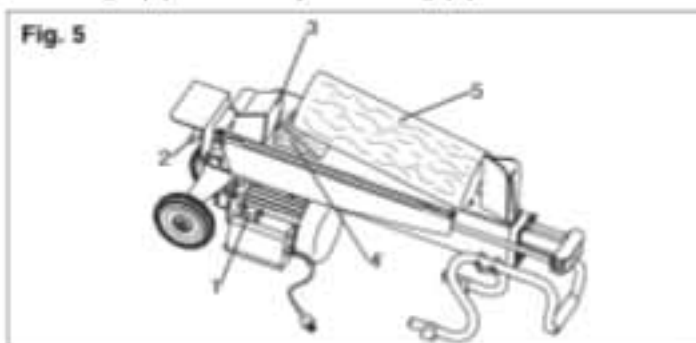
Operate the log splitter (Fig. 3 and 4)

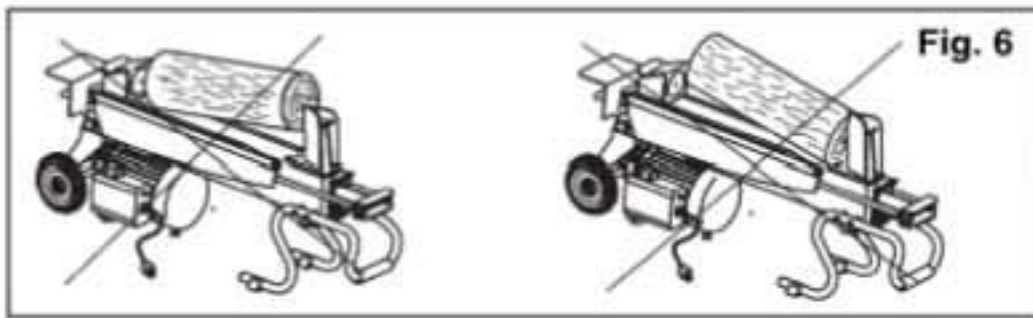
Two controls, a hydraulic control lever (7) and an ON/OFF push button (6) must be activated to operate the log splitter. Both controls must be held during the splitting process. If either control is released, the log splitter will not continue to operate.



1. Loosen the bleed screw (9) one or two turns, if needed.
2. Depress and hold the power pushbutton (6) with your right hand and allow the motor to cycle up to speed.
3. Push down on the hydraulic lever (7).
4. Release the push button (6) and the lever (7) when the log is split. The push rod (4) will retract.

Remove a jammed log (Fig. 5 and 6)





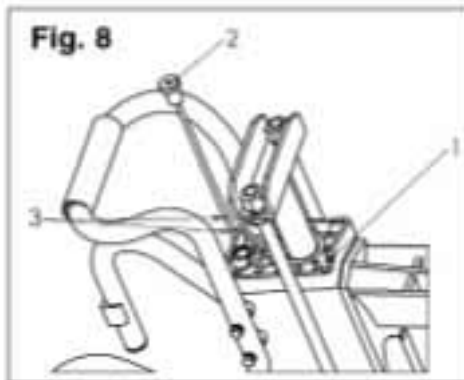
1. Release the push button (1) and the hydraulic lever (2) to turn off the power and retract the push rod (3).
2. Insert a wooden wedge (4) under the jammed log (5).
3. Activate the push button (1) and the hydraulic lever (2) to start the log splitter and push the wedge under the log.
4. Release both controls when the log is freed or when it is at the height of the wooden wedge (4).
5. If log is not freed, insert another wedge with a sharper slope and restart the splitter.
6. Repeat steps 3 through 5 until the log is freed.

MAINTENANCE



WARNING: Make sure the log splitter is disconnected from its power source before attempting any maintenance, cleaning, or inspection.

- **Maintain your splitter.** It is recommended that the general condition of your log splitter be examined before it is used. Keep your splitters in good repair by adopting a program of conscientious repair and maintenance in accordance with the recommended procedures found in this manual. If any abnormal vibrations or noise occurs, turn the splitter off immediately and have the problem corrected before further use. Have necessary repairs made by qualified service personnel.
- **Keep cutting tools sharp and clean.** Properly maintained cutting tools with sharp cutting edges are less likely to bind and are easier to control. Keep handles dry, clean, and free from oil and grease.
- **Cleaning.** Use only soap and a damp cloth to clean your splitter. Many household cleaners are harmful to plastics and other insulation. Never let liquid get inside a tool.
- **Check the hydraulic fluid level (Fig. 7 and 8).**
 1. Make sure the bleed screw (1) is closed.
 2. Raise the motor end of the log splitter. Make sure the splitter is resting securely and will not fall.
 3. Use the hex wrench to loosen the fluid drain bolt (2).
 4. Pull out the bolt with the attached dipstick.
 5. Wipe the fluid off the dipstick.
 6. Put the dipstick back in the fluid tank and pull it out again.
 7. Check the fluid level. It should be between the two notches (3) near the end of the dipstick.
 8. Add fluid if needed.
 9. Replace the dipstick and tighten the fluid drain bolt.



- **Replacing the hydraulic fluid (Fig. 9 and 10)**

1. Place a 4 L (or larger) pan(1)under the motor end of the log splitter.
2. Use the hex wrench to loosen the fluid drain bolt (2) and remove the bolt with attached dipstick.
3. Raise the splitting wedge end of the log splitter to allow the fluid to drain into the pan. Lower the splitter when it is empty.

Note: Dispose of used fluid properly.

4. Raise the motor end of the splitter and make sure it is secure (Fig. 10).
5. Pour approximately 3.2 L of approved hydraulic fluid into the tank.
6. Check the fluid level with the dipstick. Add more fluid if needed.
7. Replace the fluid drain bolt (2) and tighten securely.
8. Lower the log splitter.

- **Sharpen the splitting wedge.**

After a period of use, the splitting wedge may need to be sharpened. Use a fine toothed file or rasp to remove burrs or to refresh crushed areas.

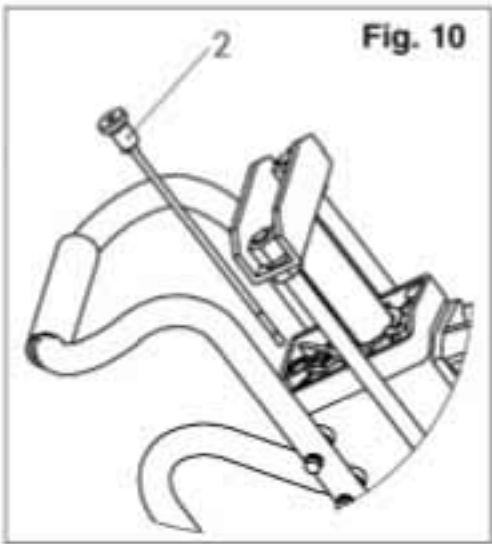
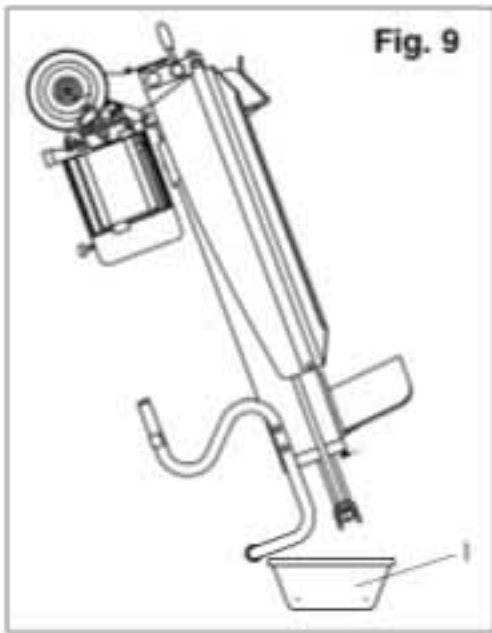
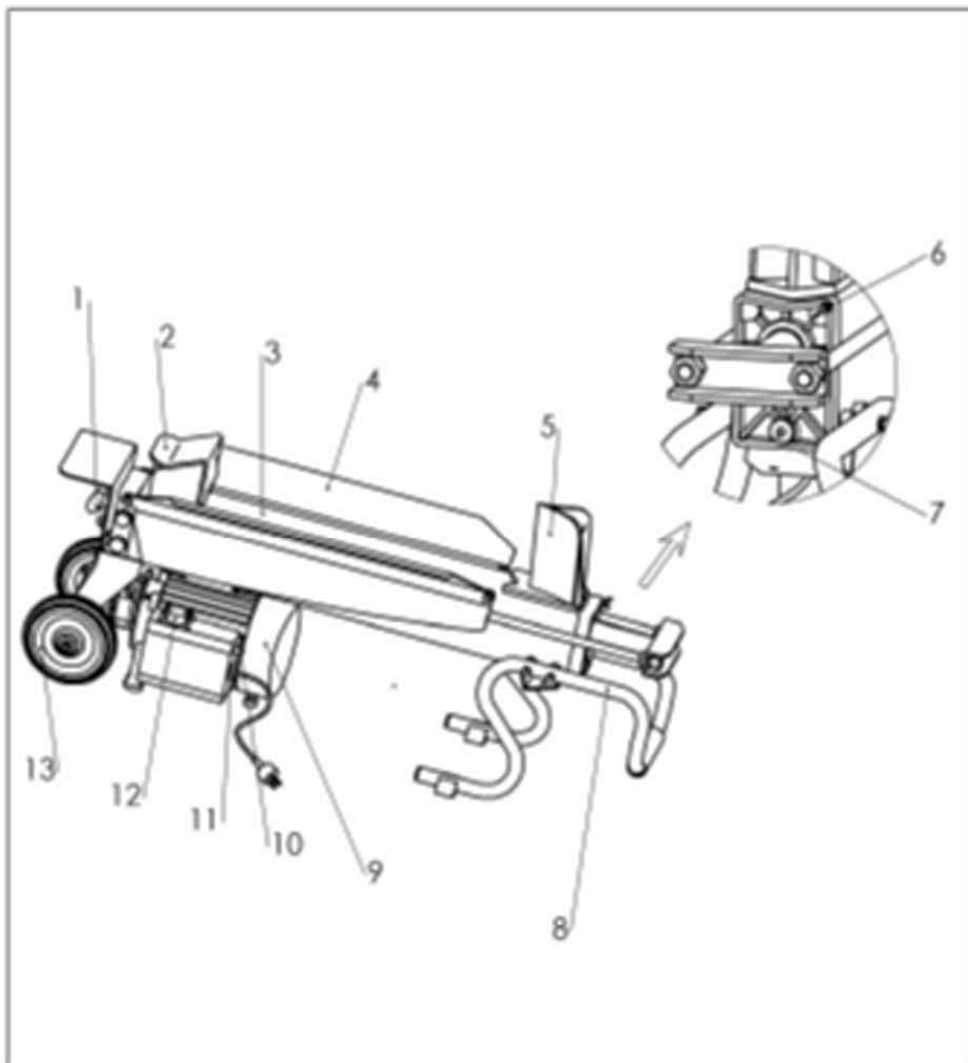


DIAGRAM & PARTS LIST



Part#	Description	Part#	Description
1	Hydraulic Control Lever	8	Front Support/Lift Handle
2	Push Rod	9	Motor Housing
3	Worktable Log Guards	10	Circuit Breaker
4	Worktable Guards	11	Power Cord
5	Splitting Wedge	12	ON/OFF Pushbutton
6	Bleed Screw	13	Rear Wheels
7	Fluid Drain Bolt w/dipstick		

For replacement parts and technical questions, please call **1-800-222-5381**.

WARRANTY

One-Year Limited Warranty

WARNING

Some dust created by power sanding, sawing, grinding, drilling, and other construction activities contains chemicals known to the State of California to cause cancer, birth defects or other reproductive harm.

Some examples of these chemicals are:

- lead from lead-based paints,
- crystalline silica from bricks and cement and other masonry products, and
- arsenic and chromium from chemically treated lumber.

Your risk from these exposures varies, depending on how often you do this type of work. To reduce your exposure to these chemicals: work in a well-ventilated area, and work with approved safety equipment, such as those dust masks that are specially designed to filter out microscopic particles.



Distributed by
Northern Tool + Equipment Co.,
2800 Southcross Drive West
P.O. Box 1499 Burnsville, MN 55337-0499
Made in China